



DEHN (U.K.) LTD

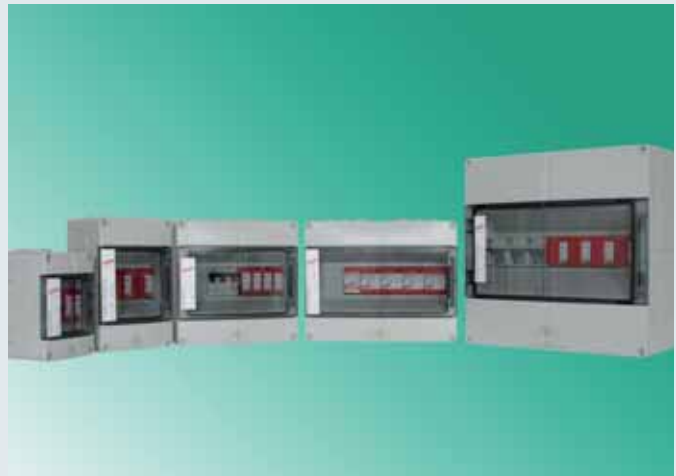
DSP – DEHN Surge Protection Mains Connection Box.



DS159/UK/08.08

Premounted with SPDs according to EN 61643-11
Premounted with SPDs according to IEC 61643-1

- Lightning and surge protection according to EN 61643-11
- Quick and easy installation due to pre-mounted protection units
- Enclosure included (degree of protection: IP 65)
- Energy-coordinated within DEHN Red/Line product family
- Low voltage protection level as specified in BS EN 62305 and BS 6651



For protecting low voltage consumer's installations against surges and/or direct lightning strokes. For use according to the lightning protection zones concept (BSEN 62305-4) at boundaries $O_A - 2$ (DSP 12 ...), $O_A - 1$ (DSP 1 ...) and $O_B - 1$ (DSP 2 ...).

- DSP 12 P: Mains connection box set for single-phase TN systems or 3-phase TN-(C)-S systems, supplied with DEHNventil modular combined lightning current and surge arrester
- DSP 1 C: Mains connection box set for single-phase or 3-phase TN systems, supplied with coordinated DEHnbloc Maxi lightning current arresters
- DSP 2 P: Mains connection box set for single- or 3-phase TN systems, supplied with DEHNguard modular surge arrester
- DSP ... A: With remote signalling contact for monitoring device
- DSP ... F: With fuse disconnecter and cylinder fuse (for DSP 12 ... and DSP 1 ...) or circuit breaker (for DSP 2 ...)

According to BSEN 62305, lightning current arresters are always required if an external lightning protection system has been installed. The ready-to-install system-specific SPD units of the DSP product family combine lightning equipotential bonding and/or surge protection in a compact design.

Various DSP devices for single-phase 240 V a.c. TN systems and 3-phase 240/415 V TN(C)-S systems are available as 3 basic types:

- Type DSP 12 P ... stands for lightning and surge protection in one unit. The combined lightning current and surge arrester type DEHNventil M ... used here, fulfils entirely the requirements provided by lightning protection standard BS EN 62305 and product standard EN 61643-11. The DEHNventil M devices even top maximum requirements, e.g. regarding TOV withstand. All combined lightning current and surge arresters consist of a base part and plug-in protection modules. Protection modules can be easily replaced by means of the innovative module releasing button without requiring any tools. The permanent locking of the modules was certified by vibration and shock tests according to EN 60068-2.
- Type DSP 1 C ... is supplied with lightning current arresters Type 1 with low voltage protection levels. Apart from all characteristics of a modern SPD like double terminals for series connection, high discharge capacity of 50 kA (10/350 μ s) per pole or possibility of direct coordination to downstream surge protective devices. The fully encapsulated RADAX-Flow spark gap with its high follow current limitation should be mentioned here, especially for being the core of these devices. This RADAX-Flow spark gap, which can also be used as a modified type in DEHNventil M devices, helps to ensure that even the smallest fuses will not trip upon prospective short-circuit currents up to 50 kA_{rms}.

- DSP 2 P ... sets are enclosures supplied with surge protective devices, i.e. modular DEHNguard M devices are used here. Apart from a maximum discharge capacity of 40 kA (8/20 μ s) per pole, these provide in particular a higher reliability of SPDs due to a special SPD monitoring device "Thermo Dynamic Control". These are also supplied with the module releasing button, which is typical for the family of modular devices.

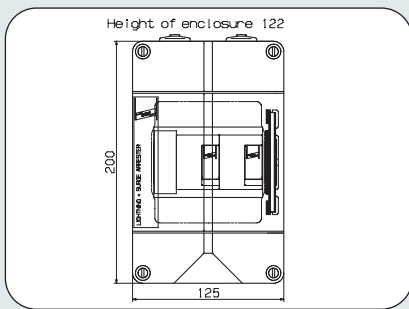
All devices have been successfully subjected to several certification processes of e.g. KEMA or UL. This assures the user that our products are independently tested and really comply with the relevant product standards.

Apart from using a basic device, a component with remote signalling contact as a floating changeover contact for use with upstream monitoring devices (... A) or a unit with coordinated fuse elements (... F) can also be chosen for each type. This reduces time and effort for planning, ordering and installation to a minimum for the user.

The enclosures made of shock-proof polystyrene offer a high degree of protection IP 65 according to EN 60529 and high quality of the device allow for installation even in critical environments like

- damp and wet areas or rooms, ideal for use at service entrances
- protected outdoor installations

In order to keep wiring as minimal as possible for the installer, certain DSP sets provide busbars for establishing a compact, lightning-current-conforming connection to other DIN-rail-mounted devices thus optimising space.



Dimension drawing
DSP 12 P 240 / DSP 12 PA 240 in mm



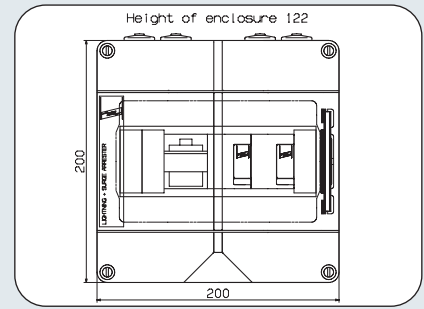
- Ready-to-install equipment for use according to the lightning protection zones concept as required in BSEN 62305-4
- Quick and easy installation as premounted with spark-gap-based combined lightning current and surge arrester
- Maximum system longevity due to RADAX-Flow follow current limitation
- Design and specification giving enhanced SPD performance as outlined in BSEN 62305
- Operating state/fault indication by mark in the inspection window (and remote signalling contact – for type DSP 12 PA 240 only)
- Enclosure with transparent cover, degree of protection: IP 65

DSP 12 P 240 (Part No. 902 610) and DSP 12 PA 240 (Part No. 902 611): Mains connection box set for single-phase 240 V TN systems, with IP 65 enclosure premounted with DEHNventil modular combined lightning current and surge arrester (Part No. 951 200); Type 12 PA 240 (Part No. 902 611) premounted with combined lightning current and surge arrester (Part No. 951 205) with integrated remote signalling contact for monitoring system

| | DSP 12 P 240 | DSP 12 PA 240 |
|---|--|--|
| SPD Features: | | |
| SPD according to EN 61643-11 | Type 1 | Type 1 |
| SPD according to IEC 61643-1 | Class I | Class I |
| Nominal a.c. voltage U_N | 240 V | 240 V |
| Power supply system | TN system | TN system |
| Max. continuous operating a.c. voltage U_C | 255 V | 255 V |
| Lightning impulse current (10/350 μ s) [L+N-PE] I_{imp} | 50 kA | 50 kA |
| Lightning impulse current (10/350 μ s) [L,N-PE] I_{imp} | 25 kA | 25 kA |
| Lightning impulse current (10/350 μ s) I_{imp} | 25 / 50 kA | 25 / 50 kA |
| Nominal discharge current (8/20 μ s) I_n | 25 / 50 kA | 25 / 50 kA |
| Voltage protection level [L-PE] U_p | ≤ 1.5 kV | ≤ 1.5 kV |
| Voltage protection level [N-PE] U_p | ≤ 1.5 kV | ≤ 1.5 kV |
| Voltage protection level U_p | ≤ 1.5 kV | ≤ 1.5 kV |
| Follow current extinguishing capability a.c. I_{fi} | 50 kA _{rms} | 50 kA _{rms} |
| Follow current limitation/Selectivity | no tripping of a 20 A gL/gG fuse up to 50 kA _{rms} (prosp.) | no tripping of a 20 A gL/gG fuse up to 50 kA _{rms} (prosp.) |
| Response time t_A | ≤ 100 ns | ≤ 100 ns |
| Max. backup fuse (L) up to $I_K = 50$ kA _{rms} | 315 A gL/gG | 315 A gL/gG |
| Max. backup fuse (L) for $I_K > 50$ kA _{rms} | 200 A gL/gG | 200 A gL/gG |
| Max. backup fuse (L-L) | 125 A gL/gG | 125 A gL/gG |
| Temporary overvoltage (TOV) U_{TOV} | 440 V / 5 sec. | 440 V / 5 sec. |
| TOV characteristics | withstand | withstand |
| Operating state/Fault indication | green / red | green / red |
| Cross-sectional area (L, L', N, N', PE, \neq) | 10 mm ² solid/flexible | 10 mm ² solid/flexible |
| Cross-sectional area (L, N, PE) | 50 mm ² stranded/35 mm ² flexible | 50 mm ² stranded/35 mm ² flexible |
| Cross-sectional area (L', N', \neq) | 35 mm ² stranded/25 mm ² flexible | 35 mm ² stranded/25 mm ² flexible |
| SPD material | red thermoplastic, UL 94 V-0 | red thermoplastic, UL 94 V-0 |
| Type of remote signalling contact | — | floating changeover contact |
| Switching capacity a.c. | — | 250 V/0.5 A |
| Switching capacity d.c. | — | 250 V/0.1 A; 125 V/0.2 A; 75 V/0.5 A |
| Cross-sectional area for remote signalling terminals | — | max. 1.5 mm ² solid/flexible |
| MAINS CONNECTION BOX Features: | | |
| Ambient temperature range T_U | -25°C...+40°C | -25°C...+40°C |
| Enclosure material | polystyrene | polystyrene |
| Impact strength according to DIN EN 50102 | IK 07 (2 Joule loads) | IK 07 (2 Joule loads) |
| Degree of protection according to EN 60529 | IP 65 | IP 65 |
| Cover type | transparent cover | transparent cover |
| Colour of enclosure | grey | grey |
| Number of cable entries | 4 elastic cable entry | 4 elastic cable entry |
| Dimension (W x H x D) | 125 x 200 x 122 mm | 125 x 200 x 122 mm |
| Ordering information | | |
| Type | DSP 12 P 240 | DSP 12 PA 240 |
| Part No. | 902 610 | 902 611 |
| Packing unit | 1 pc(s). | 1 pc(s). |

DSP 12 PF 240

- Ready-to-install equipment for use according to the lightning protection zones concept as required in BSEN 62305-4
- Quick and easy installation as premounted with spark-gap-based combined lightning current and surge arrester
- Maximum system longevity due to RADAX-Flow follow current limitation
- Design and specification giving enhanced SPD performance as outlined in BSEN 62305
- Operating state/fault indication by mark in the inspection window
- Fuse holder with 100 A gL/gG cylinder fuse
- Enclosure with transparent cover, degree of protection: IP 65



Dimension drawing DSP 12 PF 240 in mm

DSP 12 PF 240 (Part No. 902 612): Mains connection box set for single-phase 240 V TN systems, with IP 65 enclosure premounted with DEHNventil modular combined lightning current and surge arrester (Part No. 951 200) and fuse holder including 100 A gL/gG cylinder fuse

DSP 12 PF 240

SPD Features:

| | |
|---|--|
| SPD according to EN 61643-11 | Type 1 |
| SPD according to IEC 61643-1 | Class I |
| Nominal a.c. voltage U_N | 240 V |
| Power supply system | TN system |
| Max. continuous operating a.c. voltage U_c | 255 V |
| Lightning impulse current (10/350 μ s) [L+N-PE] I_{imp} | 50 kA |
| Lightning impulse current (10/350 μ s) [L,N-PE] I_{imp} | 25 kA |
| Lightning impulse current (10/350 μ s) I_{imp} | 25 / 50 kA |
| Nominal discharge current (8/20 μ s) I_n | 25 / 50 kA |
| Voltage protection level [L-PE] U_p | ≤ 1.5 kV |
| Voltage protection level [N-PE] U_p | ≤ 1.5 kV |
| Voltage protection level U_p | ≤ 1.5 kV |
| Follow current extinguishing capability a.c. I_{fi} | 50 kA _{rms} |
| Follow current limitation/Selectivity | no tripping of a 20 A gL/gG fuse up to 50 kA _{rms} (prosp.) |
| Response time t_A | ≤ 100 ns |
| Max. backup fuse (L) up to $I_K = 50$ kA _{rms} | 315 A gL/gG |
| Max. backup fuse (L) for $I_K > 50$ kA _{rms} | 200 A gL/gG |
| Max. backup fuse (L-L) | 125 A gL/gG |
| Temporary overvoltage (TOV) U_{TOV} | 440 V / 5 sec. |
| TOV characteristics | withstand |
| Operating state/Fault indication | green / red |
| Cross-sectional area (L, L', N, N', PE, \pm) | 10 mm ² solid/flexible |
| Cross-sectional area (L, N, PE) | 50 mm ² stranded/35 mm ² flexible |
| Cross-sectional area (L', N', \pm) | 35 mm ² stranded/25 mm ² flexible |
| SPD material | red thermoplastic, UL 94 V-0 |

MAINS CONNECTION BOX Features:

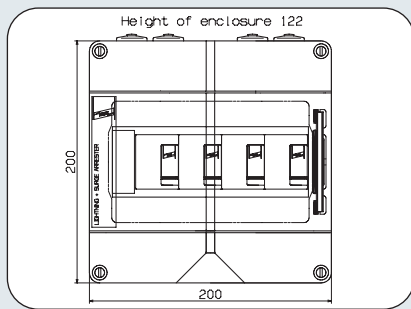
| | |
|--|-----------------------|
| Ambient temperature range T_U | -25°C...+40°C |
| Enclosure material | polystyrene |
| Impact strength according to DIN EN 50102 | IK 07 (2 Joule loads) |
| Degree of protection according to EN 60529 | IP 65 |
| Cover type | transparent cover |
| Colour of enclosure | grey |
| Number of cable entries | 6 elastic cable entry |
| Dimension (W x H x D) | 200 x 200 x 122 mm |

FUSE Features:

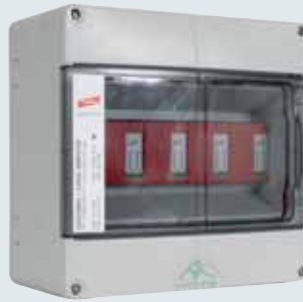
| | |
|--------------------------------------|-------------|
| Rated current / Utilisation category | 100 A gL/gG |
| Fuse size | 22 x 58 mm |
| Cylinder fuse module | single-pole |

Ordering information

| | |
|--------------|---------------|
| Type | DSP 12 PF 240 |
| Part No. | 902 612 |
| Packing unit | 1 pc(s). |



Dimension drawing
DSP 12 P 415 / DSP 12 PA 415 in mm



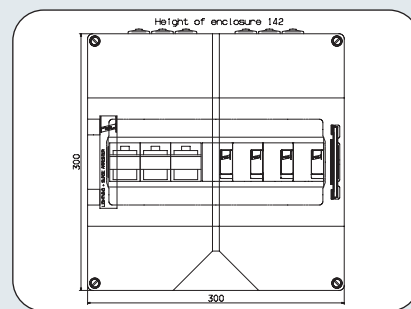
- Ready-to-install equipment for use according to the lightning protection zones concept as required in BSEN 62305-4
- Quick and easy installation as premounted with spark-gap-based combined lightning current and surge arrester
- Maximum system longevity due to RADAX-Flow follow current limitation
- Design and specification giving enhanced SPD performance as outlined in BSEN 62305
- Operating state/fault indication by mark in the inspection window (and remote signalling contact – for type DSP 12 PA 415 only)
- Enclosure with transparent cover, degree of protection: IP 65

DSP 12 P 415 (Part No. 902 620) and DSP 12 PA 415 (Part No. 902 621): Mains connection box set for 3-phase 240/415 V TN-(C-)S systems, with IP 65 enclosure premounted with DEHNventil modular combined lightning current and surge arrester (Part No. 951 400);
Type DSP 12 PA 415 (Part No. 902 621) premounted with combined lightning current and surge arrester (Part No. 951 405) with integrated remote signalling contact for monitoring system

| | DSP 12 P 415 | DSP 12 PA 415 |
|--|---|---|
| SPD Features: | | |
| SPD according to EN 61643-11 | Type 1 | Type 1 |
| SPD according to IEC 61643-1 | Class I | Class I |
| Nominal a.c. voltage U_N | 240 / 415 V | 230 / 400 V |
| Power supply system | TN-(C-)S system | TN-(C-)S system |
| Max. continuous operating a.c. voltage U_c | 255 V | 255 V |
| Lightning impulse current (10/350 μ s) [L1+L2+L3+N-PE] I_{imp} | 100 kA | 100 kA |
| Lightning impulse current (10/350 μ s) [L,N-PE] I_{imp} | 25 kA | 25 kA |
| Lightning impulse current (10/350 μ s) I_{imp} | 25 / 100 kA | 25 / 100 kA |
| Nominal discharge current (8/20 μ s) I_n | 25 / 100 kA | 25 / 100 kA |
| Voltage protection level [L-PE] U_p | ≤ 1.5 kV | ≤ 1.5 kV |
| Voltage protection level [N-PE] U_p | ≤ 1.5 kV | ≤ 1.5 kV |
| Voltage protection level U_p | ≤ 1.5 kV | ≤ 1.5 kV |
| Follow current extinguishing capability a.c. I_{fi} | 50 kA_{rms} | 50 kA_{rms} |
| Follow current limitation/Selectivity | no tripping of a 20 A gL/gG fuse up to 50 kA_{rms} (prosp.) | no tripping of a 20 A gL/gG fuse up to 50 kA_{rms} (prosp.) |
| Response time t_A | ≤ 100 ns | ≤ 100 ns |
| Max. backup fuse (L) up to $I_K = 50$ kA_{rms} | 315 A gL/gG | 315 A gL/gG |
| Max. backup fuse (L) for $I_K > 50$ kA_{rms} | 200 A gL/gG | 200 A gL/gG |
| Max. backup fuse (L-L) | 125 A gL/gG | 125 A gL/gG |
| Temporary overvoltage (TOV) U_{TOV} | 440 V / 5 sec. | 440 V / 5 sec. |
| TOV characteristics | withstand | withstand |
| Operating state/Fault indication | green / red | green / red |
| Cross-sectional area (L1, L1', L2, L2', L3, L3', N, N', PE, \neq) | 10 mm ² solid/flexible | 10 mm ² solid/flexible |
| Cross-sectional area (L1, L2, L3, N, PE) | 50 mm ² stranded/35 mm ² flexible | 50 mm ² stranded/35 mm ² flexible |
| Cross-sectional area (L1', L2', L3', N', \neq) | 35 mm ² stranded/25 mm ² flexible | 35 mm ² stranded/25 mm ² flexible |
| SPD material | red thermoplastic, UL 94 V-0 | red thermoplastic, UL 94 V-0 |
| Type of remote signalling contact | — | floating changeover contact |
| Switching capacity a.c. | — | 250 V/0.5 A |
| Switching capacity d.c. | — | 250 V/0.1 A; 125 V/0.2 A; 75 V/0.5 A |
| Cross-sectional area for remote signalling terminals | — | max. 1.5 mm ² solid/flexible |
| MAINS CONNECTION BOX Features: | | |
| Ambient temperature range T_U | -25°C...+40°C | -25°C...+40°C |
| Enclosure material | polystyrene | polystyrene |
| Impact strength according to DIN EN 50102 | IK 07 (2 Joule loads) | IK 07 (2 Joule loads) |
| Degree of protection according to EN 60529 | IP 65 | IP 65 |
| Cover type | transparent cover | transparent cover |
| Colour of enclosure | grey | grey |
| Number of cable entries | 6 elastic cable entry | 6 elastic cable entry |
| Dimension (W x H x D) | 200 x 200 x 122 mm | 200 x 200 x 122 mm |
| Ordering information | | |
| Type | DSP 12 P 415 | DSP 12 PA 415 |
| Part No. | 902 620 | 902 621 |
| Packing unit | 1 pc(s). | 1 pc(s). |

DSP 12 PF 415

- Ready-to-install equipment for use according to the lightning protection zones concept as required in BSEN 62305-4
- Quick and easy installation as premounted with spark-gap-based combined lightning current and surge arrester
- Maximum system longevity due to RADAX-Flow follow current limitation
- Design and specification giving enhanced SPD performance as outlined in BSEN 62305
- Operating state/fault indication by mark in the inspection window
- Fuse holder with 100 A gL/gG cylinder fuses
- Enclosure with transparent cover, degree of protection: IP 65



Dimension drawing DSP 12 PF 415 in mm

DSP 12 PF 415 (Part No. 902 622): Mains connection box set for 3-phase 240/415 V TN(C)-S systems, with IP 65 enclosure premounted with DEHNventil modular combined lightning current and surge arrester (Part No. 951 400) and fuse holder including three 100 A gL/gG cylinder fuses

DSP 12 PF 415

SPD Features:

| | |
|--|--|
| SPD according to EN 61643-11 | Type 1 |
| SPD according to IEC 61643-1 | Class I |
| Nominal a.c. voltage U_N | 230 / 400 V |
| Power supply system | TN-(C)-S system |
| Max. continuous operating a.c. voltage U_c | 255 V |
| Lightning impulse current (10/350 μ s) [L1+L2+L3+N-PE] I_{imp} | 100 kA |
| Lightning impulse current (10/350 μ s) [L,N-PE] I_{imp} | 25 kA |
| Lightning impulse current (10/350 μ s) I_{imp} | 25 / 100 kA |
| Nominal discharge current (8/20 μ s) I_n | 25 / 100 kA |
| Voltage protection level [L-PE] U_p | ≤ 1.5 kV |
| Voltage protection level [N-PE] U_p | ≤ 1.5 kV |
| Voltage protection level U_p | ≤ 1.5 kV |
| Follow current extinguishing capability a.c. I_{fi} | 50 kA _{rms} |
| Follow current limitation/Selectivity | no tripping of a 20 A gL/gG fuse up to 50 kA _{rms} (prosp.) |
| Response time t_A | ≤ 100 ns |
| Max. backup fuse (L) up to $I_K = 50$ kA _{rms} | 315 A gL/gG |
| Max. backup fuse (L) for $I_K > 50$ kA _{rms} | 200 A gL/gG |
| Max. backup fuse (L-L) | 125 A gL/gG |
| Temporary overvoltage (TOV) U_{TOV} | 440 V / 5 sec. |
| TOV characteristics | withstand |
| Operating state/Fault indication | green / red |
| Cross-sectional area (L1, L1', L2, L2', L3, L3', N, N', PE, \pm) | 10 mm ² solid/flexible |
| Cross-sectional area (L1, L2, L3, N, PE) | 50 mm ² stranded/35 mm ² flexible |
| Cross-sectional area (L1', L2', L3', N', \pm) | 35 mm ² stranded/25 mm ² flexible |
| SPD material | red thermoplastic, UL 94 V-0 |

MAINS CONNECTION BOX Features:

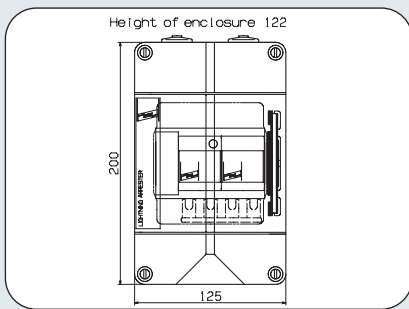
| | |
|--|------------------------|
| Ambient temperature range T_U | -25°C...+40°C |
| Enclosure material | polystyrene |
| Impact strength according to DIN EN 50102 | IK 07 (2 Joule loads) |
| Degree of protection according to EN 60529 | IP 65 |
| Cover type | transparent cover |
| Colour of enclosure | grey |
| Number of cable entries | 10 elastic cable entry |
| Dimension (W x H x D) | 300 x 300 x 142 mm |

FUSE Features:

| | |
|--------------------------------------|-------------|
| Rated current / Utilisation category | 100 A gL/gG |
| Fuse size | 22 x 58 mm |
| Cylinder fuse module | 3-pole |

Ordering information

| | |
|--------------|---------------|
| Type | DSP 12 PF 415 |
| Part No. | 902 622 |
| Packing unit | 1 pc(s). |



Dimension drawing DSP 1 C 240 in mm



- Ready-to-install equipment for use according to the lightning protection zones concept as required in BSEN 62305-4
- Quick and easy installation as premounted with SPD arrangements
- Maximum system longevity due to RADAX-Flow follow current limitation
- Design and specification giving enhanced SPD performance as outlined in BSEN 62305
- Continuous operating voltage and operating state indication
- Enclosure with transparent cover, degree of protection: IP 65

DSP 1 C 240 (Part No. 902 630): Mains connection box set for single-phase 240 V TN systems, with IP 65 enclosure premounted with coordinated lightning current arresters, 1 x DEHNbloc Maxi with LED indication (Part No. 900 026) and 1 x DEHNbloc Maxi without LED indication (Part No. 900 025)

DSP 1 C 240

SPD Features:

| | |
|---|--|
| SPD according to EN 61643-11 | Type 1 |
| SPD according to IEC 61643-1 | Class I |
| Nominal a.c. voltage U_N | 240 V |
| Power supply system | TN |
| Max. continuous operating a.c. voltage U_c | 255 V |
| Lightning impulse current (10/350 μ s) I_{imp} | 50 / 100 kA |
| Nominal discharge current (8/20 μ s) I_n | 50 / 100 kA |
| Voltage protection level U_p | ≤ 2.5 kV |
| Follow current extinguishing capability a.c. I_{fl} | 50 kA _{rms} |
| Follow current limitation/Selectivity | no tripping of a 32 A gL/gG fuse up to 50 kA _{rms} (prosp.) |
| Response time t_A | ≤ 100 ns |
| Max. backup fuse (L) up to $I_k = 50$ kA _{rms} | 315 A gL/gG |
| Max. backup fuse (L) for $I_k > 50$ kA _{rms} | 200 A gL/gG |
| Max. backup fuse (L-L) | 125 A gL/gG |
| Temporary overvoltage (TOV) U_{TOV} | 335 V / 5 sec. |
| TOV characteristics | withstand |
| Operating state indicator | green light |
| Cross-sectional area (L, L', N/PEN, N'/PEN) | 10 mm ² solid/flexible |
| Cross-sectional area (L, N/PEN) | 50 mm ² stranded/35 mm ² flexible |
| Cross-sectional area (L', N'/PEN) | 35 mm ² stranded/25 mm ² flexible |
| SPD material | red thermoplastic, UL 94 V-0 |

MAINS CONNECTION BOX Features:

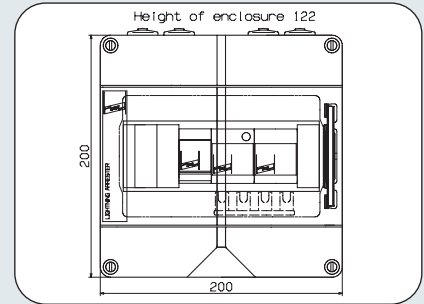
| | |
|--|-----------------------|
| Ambient temperature range T_U | -25°C...+40°C |
| Enclosure material | polystyrene |
| Impact strength according to DIN EN 50102 | IK 07 (2 Joule loads) |
| Degree of protection according to EN 60529 | IP 65 |
| Cover type | transparent cover |
| Colour of enclosure | grey |
| Number of cable entries | 4 elastic cable entry |
| Dimension (W x H x D) | 125 x 200 x 122 mm |

Ordering information

| | |
|--------------|-------------|
| Type | DSP 1 C 240 |
| Part No. | 902 630 |
| Packing unit | 1 pc(s). |

DSP 1 CA 240

- Ready-to-install equipment for use according to the lightning protection zones concept as required in BSEN 62305-4
- Quick and easy installation as premounted with spark-gap-based coordinated lightning current arrester
- Maximum system longevity due to RADAX-Flow follow current limitation
- Design and specification giving enhanced SPD performance as outlined in BSEN 62305
- Continuous operating voltage and operating state indication
- With remote signalling module
- Enclosure with transparent cover, degree of protection: IP 65



Dimension drawing DSP 1 CA 240 in mm

DSP 1 CA 240 (Part No. 902 631): Mains connection box set for single-phase 240 V TN systems, with IP 65 enclosure premounted with coordinated lightning current arresters, 1 x DEHNbloc Maxi with LED indication (Part No. 900 026) and 1 x DEHNbloc Maxi without LED indication (Part No. 900 025); with remote signalling module (Part No. 910 621)

DSP 1 CA 240

SPD Features:

| | |
|---|--|
| SPD according to EN 61643-11 | Type 1 |
| SPD according to IEC 61643-1 | Class I |
| Nominal a.c. voltage U_N | 240 V |
| Power supply system | TN system |
| Max. continuous operating a.c. voltage U_C | 255 V |
| Lightning impulse current (10/350 μ s) I_{imp} | 50 / 100 kA |
| Nominal discharge current (8/20 μ s) I_n | 50 / 100 kA |
| Voltage protection level U_P | ≤ 2.5 kV |
| Follow current extinguishing capability a.c. I_{fi} | 50 kA _{rms} |
| Follow current limitation/Selectivity | no tripping of a 32 A gL/gG fuse up to 50 kA _{rms} (prosp.) |
| Response time t_A | ≤ 100 ns |
| Max. backup fuse (L) up to $I_K = 50$ kA _{rms} | 315 A gL/gG |
| Max. backup fuse (L) for $I_K > 50$ kA _{rms} | 200 A gL/gG |
| Max. backup fuse (L-L) | 125 A gL/gG |
| Temporary overvoltage (TOV) U_{TOV} | 335 V / 5 sec. |
| TOV characteristics | withstand |
| Operating state indicator | green light |
| Cross-sectional area (L, L', N/PEN, N'/PEN) | 10 mm ² solid/flexible |
| Cross-sectional area (L, N/PEN) | 50 mm ² stranded/35 mm ² flexible |
| Cross-sectional area (L', N'/PEN) | 35 mm ² stranded/25 mm ² flexible |
| SPD material | red thermoplastic, UL 94 V-0 |

REMOTE SIGNALLING MODULE Features:

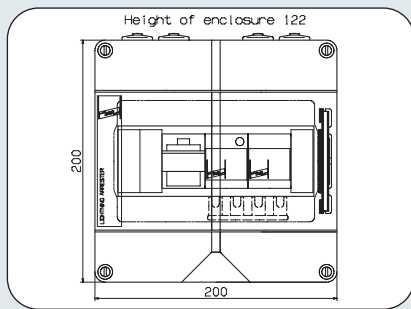
| | |
|---|--|
| Power input P | 400 mW |
| Module connection | only to provided SPD terminal |
| Type of remote signalling contact | floating changeover contact |
| Switching capacity a.c. | 250 V/0.5 A |
| Switching capacity d.c. | 250 V/0.1 A; 125 V/0.2 A; 75 V/0.5 A |
| Cross-sectional areas for remote signalling terminals | min. 0.5 mm ² solid/flexible; max. 4 mm ² solid/flexible |
| Optical fibre interface | 660 nm |
| Range with LWL DSI and DSI E DV reception module | max. 100 m |

MAINS CONNECTION BOX Features:

| | |
|--|-----------------------|
| Ambient temperature range T_U | -25°C...+40°C |
| Enclosure material | polystyrene |
| Impact strength according to DIN EN 50102 | IK 07 (2 Joule loads) |
| Degree of protection according to EN 60529 | IP 65 |
| Cover type | transparent cover |
| Colour of enclosure | grey |
| Number of cable entries | 6 elastic cable entry |
| Dimension (W x H x D) | 200 x 200 x 122 mm |

Ordering information

| | |
|--------------|--------------|
| Type | DSP 1 CA 240 |
| Part No. | 902 631 |
| Packing unit | 1 pc(s). |



Dimension drawing DSP 1 CF 240 in mm



- Ready-to-install equipment for use according to the lightning protection zones concept as required in BSEN 62305-4
- Quick and easy installation as premounted with spark-gap-based coordinated lightning current arrester
- Maximum system longevity due to RADAX-Flow follow current limitation
- Design and specification giving enhanced SPD performance as outlined in BSEN 62305
- Continuous operating voltage and operating state indication
- Fuse holder with 100 A gL/gG cylinder fuse
- Enclosure with transparent cover, degree of protection: IP 65

DSP 1 CF 240 (Part No. 902 632): Mains connection box set for single-phase 240 V TN systems, with IP 65 enclosure premounted with coordinated lightning current arresters, 1 x DEHNbloc Maxi with LED indication (Part No. 900 026) and 1 x DEHNbloc Maxi without LED indication (Part No. 900 025); with fuse holder including 100 A gL/gG cylinder fuse

DSP 1 CF 240

SPD Features:

| | |
|---|--|
| SPD according to EN 61643-11 | Type 1 |
| SPD according to IEC 61643-1 | Class I |
| Nominal a.c. voltage U_N | 240 V |
| Power supply system | TN system |
| Max. continuous operating a.c. voltage U_C | 255 V |
| Lightning impulse current (10/350 μ s) I_{imp} | 50 / 100 kA |
| Nominal discharge current (8/20 μ s) I_n | 50 / 100 kA |
| Voltage protection level U_p | ≤ 2.5 kV |
| Follow current extinguishing capability a.c. I_{fi} | 50 kA _{rms} |
| Follow current limitation/Selectivity | no tripping of a 32 A gL/gG fuse up to 50 kA _{rms} (prosp.) |
| Response time t_A | ≤ 100 ns |
| Max. backup fuse (L) up to $I_K = 50$ kA _{rms} | 315 A gL/gG |
| Max. backup fuse (L) for $I_K > 50$ kA _{rms} | 200 A gL/gG |
| Max. backup fuse (L-L) | 125 A gL/gG |
| Temporary overvoltage (TOV) U_{TOV} | 335 V / 5 sec. |
| TOV characteristics | withstand |
| Operating state indicator | green light |
| Cross-sectional area (L, L', N/PEN, N'/PEN) | 10 mm ² solid/flexible |
| Cross-sectional area (L, N/PEN) | 50 mm ² stranded/35 mm ² flexible |
| Cross-sectional area (L', N'/PEN) | 35 mm ² stranded/25 mm ² flexible |
| SPD material | red thermoplastic, UL 94 V-0 |

MAINS CONNECTION BOX Features:

| | |
|--|-----------------------|
| Ambient temperature range T_U | -25°C...+40°C |
| Enclosure material | polystyrene |
| Impact strength according to DIN EN 50102 | IK 07 (2 Joule loads) |
| Degree of protection according to EN 60529 | IP 65 |
| Cover type | transparent cover |
| Colour of enclosure | grey |
| Number of cable entries | 6 elastic cable entry |
| Dimension (W x H x D) | 200 x 200 x 122 mm |

FUSE Features:

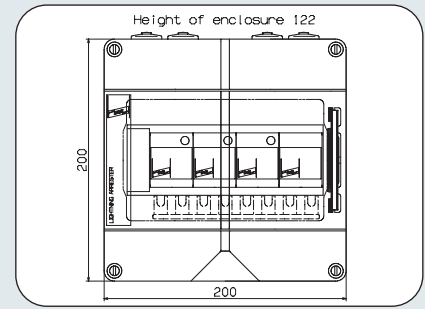
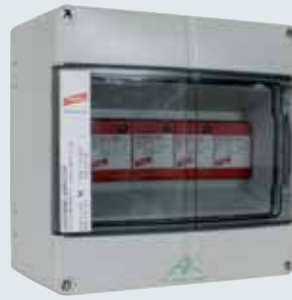
| | |
|--------------------------------------|-------------|
| Rated current / Utilisation category | 100 A gL/gG |
| Fuse size | 22 x 58 mm |
| Cylinder fuse module | single-pole |

Ordering information

| | |
|--------------|--------------|
| Type | DSP 1 CF 240 |
| Part No. | 902 632 |
| Packing unit | 1 pc(s). |

DSP 1 C 415

- Ready-to-install equipment for use according to the lightning protection zones concept as required in BSEN 62305-4
- Quick and easy installation as premounted with SPD arrangements
- Maximum system longevity due to RADAX-Flow follow current limitation
- Design and specification giving enhanced SPD performance as outlined in BSEN 62305
- Continuous operating voltage and operating state indication
- Enclosure with transparent cover, degree of protection: IP 65



Dimension drawing DSP 1 C 415 in mm

DSP 1 C 415 (Part No. 902 640): Mains connection box set for 3-phase 240/415 V TN(C)-S systems, with IP 65 enclosure premounted with coordinated lightning current arresters, 3 x DEHNbloc Maxi with LED indication (Part No. 900 026) and 1 x DEHNbloc Maxi without LED indication (Part No. 900 025)

DSP 1 C 415

SPD Features:

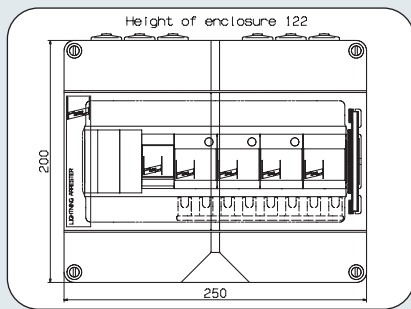
| | |
|---|--|
| SPD according to EN 61643-11 | Type 1 |
| SPD according to IEC 61643-1 | Class I |
| Nominal a.c. voltage U_N | 240 / 415 V |
| Power supply system | TN-(C)-S system |
| Max. continuous operating a.c. voltage U_C | 255 V |
| Lightning impulse current (10/350 μ s) I_{imp} | 50 / 100 kA |
| Nominal discharge current (8/20 μ s) I_n | 50 / 100 kA |
| Voltage protection level U_P | ≤ 2.5 kV |
| Follow current extinguishing capability a.c. I_{fi} | 50 kA _{rms} |
| Follow current limitation/Selectivity | no tripping of a 32 A gL/gG fuse up to 50 kA _{rms} (prosp.) |
| Response time t_A | ≤ 100 ns |
| Max. backup fuse (L) up to $I_K = 50$ kA _{rms} | 315 A gL/gG |
| Max. backup fuse (L) for $I_K > 50$ kA _{rms} | 200 A gL/gG |
| Max. backup fuse (L-L) | 125 A gL/gG |
| Temporary overvoltage (TOV) U_{TOV} | 335 V / 5 sec. |
| TOV characteristics | withstand |
| Operating state indicator | green light |
| Cross-sectional area (L, L', N/PEN, N'/PEN) | 10 mm ² solid/flexible |
| Cross-sectional area (L, N/PEN) | 50 mm ² stranded/35 mm ² flexible |
| Cross-sectional area (L', N'/PEN) | 35 mm ² stranded/25 mm ² flexible |
| SPD material | red thermoplastic, UL 94 V-0 |

MAINS CONNECTION BOX Features:

| | |
|--|-----------------------|
| Ambient temperature range T_U | -25°C...+40°C |
| Enclosure material | polystyrene |
| Impact strength according to DIN EN 50102 | IK 07 (2 Joule loads) |
| Degree of protection according to EN 60529 | IP 65 |
| Cover type | transparent cover |
| Colour of enclosure | grey |
| Number of cable entries | 6 elastic cable entry |
| Dimension (W x H x D) | 200 x 200 x 122 mm |

Ordering information

| | |
|--------------|-------------|
| Type | DSP 1 C 415 |
| Part No. | 902 640 |
| Packing unit | 1 pc(s). |



Dimension drawing DSP 1 CA 415 in mm



DSP 1 CA 415 (Part No. 902 641): Mains connection box set for 3-phase 240/415 V TN(C)-S systems, with IP 65 enclosure premounted with coordinated lightning current arresters, 3 x DEHNbloc Maxi with LED indication (Part No. 900 026) and 1 x DEHNbloc Maxi without LED indication (Part No. 900 025); with remote signalling module (Part No. 910 620)

- Ready-to-install equipment for use according to the lightning protection zones concept as required in BSEN 62305-4
- Quick and easy installation as premounted with spark-gap-based coordinated lightning current arrester
- Quick and easy installation as premounted with SPD arrangements
- Maximum system longevity due to RADAX-Flow follow current limitation
- Design and specification giving enhanced SPD performance as outlined in BSEN 62305
- Continuous operating voltage and operating state indication
- With remote signalling module
- Enclosure with transparent cover, degree of protection: IP 65

DSP 1 CA 415

SPD Features:

| | |
|---|---|
| SPD according to EN 61643-11 | Type 1 |
| SPD according to IEC 61643-1 | Class I |
| Nominal a.c. voltage U_N | 240 / 415 V |
| Power supply system | TN-(C-)S system |
| Max. continuous operating a.c. voltage U_C | 255 V |
| Lightning impulse current (10/350 μ s) I_{imp} | 50 / 100 kA |
| Nominal discharge current (8/20 μ s) I_n | 50 / 100 kA |
| Voltage protection level U_p | ≤ 2.5 kV |
| Follow current extinguishing capability a.c. I_{fi} | 50 kA_{rms} |
| Follow current limitation/Selectivity | no tripping of a 32 A gL/gG fuse up to 50 kA_{rms} (prosp.) |
| Response time t_A | ≤ 100 ns |
| Max. backup fuse (L) up to $I_K = 50$ kA_{rms} | 315 A gL/gG |
| Max. backup fuse (L) for $I_K > 50$ kA_{rms} | 200 A gL/gG |
| Max. backup fuse (L-L) | 125 A gL/gG |
| Temporary overvoltage (TOV) U_{TOV} | 335 V / 5 sec. |
| TOV characteristics | withstand |
| Operating state indicator | green light |
| Cross-sectional area (L, L', N/PEN, N'/PEN) | 10 mm ² solid/flexible |
| Cross-sectional area (L, N/PEN) | 50 mm ² stranded/35 mm ² flexible |
| Cross-sectional area (L', N'/PEN) | 35 mm ² stranded/25 mm ² flexible |
| SPD material | red thermoplastic, UL 94 V-0 |

REMOTE SIGNALLING MODULE Features:

| | |
|---|--|
| Power input P | 500 mW |
| Module connection | only to the provided SPD terminal |
| Type of remote signalling contact | floating changeover contact |
| Switching capacity a.c. | 250 V/0.5 A |
| Switching capacity d.c. | 250 V/0.1 A; 125 V/0.2 A; 75 V/0.5 A |
| Cross-sectional areas for remote signalling terminals | min. 0.5 mm ² solid/flexible; max. 4 mm ² solid/flexible |
| Optical fibre interface | 660 nm |
| Range with LWL DSI and DSI E DV reception module | max. 100 m |

MAINS CONNECTION BOX Features:

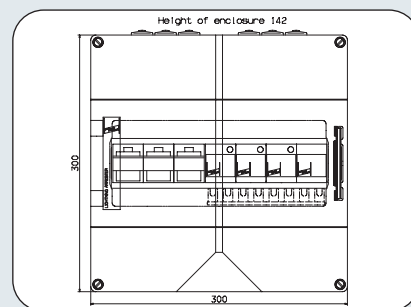
| | |
|--|-----------------------|
| Ambient temperature range T_U | -25°C...+40°C |
| Enclosure material | polystyrene |
| Impact strength according to DIN EN 50102 | IK 07 (2 Joule loads) |
| Degree of protection according to EN 60529 | IP 65 |
| Cover type | transparent cover |
| Colour of enclosure | grey |
| Number of cable entries | 8 elastic cable entry |
| Dimension (W x H x D) | 250 x 200 x 122 mm |

Ordering information

| | |
|--------------|--------------|
| Type | DSP 1 CA 415 |
| Part No. | 902 641 |
| Packing unit | 1 pc(s). |

DSP 1 CF 415

- Ready-to-install equipment for use according to the lightning protection zones concept as required in BSEN 62305-4
- Quick and easy installation as premounted with spark-gap-based coordinated lightning current arrester
- Maximum system longevity due to RADAX-Flow follow current limitation
- Design and specification giving enhanced SPD performance as outlined in BSEN 62305
- Continuous operating voltage and operating state indication
- With fuse holder with 100 A gL/gG cylinder fuses
- Enclosure with transparent cover, degree of protection: IP 65



Dimension drawing DSP 1 CF 415 in mm

DSP 1 CF 415 (Part No. 902 642): Mains connection box set for 3-phase 240/415 V TN(C)-S systems, with IP 65 enclosure premounted with coordinated lightning current arresters, 3 x DEHNbloc Maxi with LED indication (Part No. 900 026) and 1 x DEHNbloc Maxi without LED indication (Part No. 900 025); with fuse holder including 100 A gL/gG cylinder fuses

DSP 1 CF 415

SPD Features:

| | |
|---|---|
| SPD according to EN 61643-11 | Type 1 |
| SPD according to IEC 61643-1 | Class I |
| Nominal a.c. voltage U_N | 240 / 415 V |
| Power supply system | TN-(C-)S system |
| Max. continuous operating a.c. voltage U_c | 255 V |
| Lightning impulse current (10/350 μ s) I_{imp} | 50 / 100 kA |
| Nominal discharge current (8/20 μ s) I_n | 50 / 100 kA |
| Voltage protection level U_p | ≤ 2.5 kV |
| Follow current extinguishing capability a.c. I_{fi} | 50 kA_{rms} |
| Follow current limitation/Selectivity | no tripping of a 32 A gL/gG fuse up to 50 kA_{rms} (prosp.) |
| Response time t_A | ≤ 100 ns |
| Max. backup fuse (L) up to $I_K = 50$ kA_{rms} | 315 A gL/gG |
| Max. backup fuse (L) for $I_K > 50$ kA_{rms} | 200 A gL/gG |
| Max. backup fuse (L-L) | 125 A gL/gG |
| Temporary overvoltage (TOV) U_{TOV} | 335 V / 5 sec. |
| TOV characteristics | withstand |
| Operating state indicator | green light |
| Cross-sectional area (L, L', N/PEN, N'/PEN) | 10 mm ² solid/flexible |
| Cross-sectional area (L, N/PEN) | 50 mm ² stranded/35 mm ² flexible |
| Cross-sectional area (L', N'/PEN) | 35 mm ² stranded/25 mm ² flexible |
| SPD material | red thermoplastic, UL 94 V-0 |

MAINS CONNECTION BOX Features:

| | |
|--|------------------------|
| Ambient temperature range T_U | -25°C...+40°C |
| Enclosure material | polystyrene |
| Impact strength according to DIN EN 50102 | IK 07 (2 Joule loads) |
| Degree of protection according to EN 60529 | IP 65 |
| Cover type | transparent cover |
| Colour of enclosure | grey |
| Number of cable entries | 10 elastic cable entry |
| Dimension (W x H x D) | 300 x 300 x 142 mm |

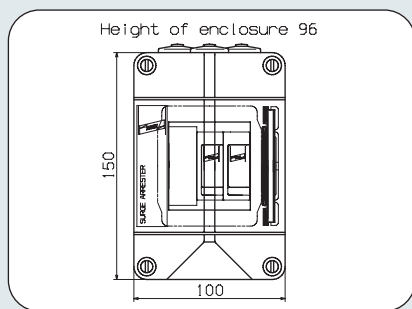
FUSE Features:

| | |
|--------------------------------------|-------------|
| Rated current / Utilisation category | 100 A gL/gG |
| Fuse size | 22 x 58 mm |
| Cylinder fuse module | 3-pole |

Ordering information

| | |
|--------------|--------------|
| Type | DSP 1 CF 415 |
| Part No. | 902 642 |
| Packing unit | 1 pc(s). |

DSP 2 P 240 and DSP 2 PA 240



Dimension drawing DSP 2 P(A) 240 in mm

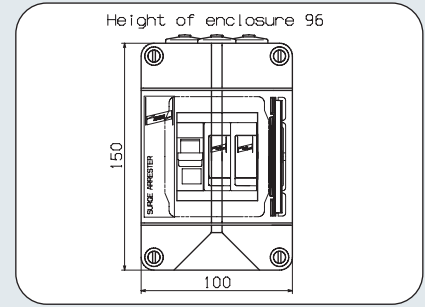


- Ready-to-install equipment for use according to the lightning protection zones concept as required in BSEN 62305-4
- Premounted with DEHNguard M ... surge arrester
- Quick and easy installation as premounted with SPD arrangements
- High reliability due to "Thermo Dynamic Control" monitoring device
- Allows for easy replacing of protection modules due to module releasing button
- Enclosure with transparent cover, degree of protection: IP 65

DSP 2 P 240 (Part No. 902 650) and DSP 2 PA 240 (Part No. 902 651): Mains connection box set for single-phase 240 V TN systems, with IP 65 enclosure premounted with DEHNguard modular surge arresters (Part No. 952 200);
Type DSP 2 PA 240 (Part No. 902 651) premounted with surge arresters (Part No. 952 205) with integrated remote signalling contact for monitoring system

| | DSP 2 P 240 | DSP 2 PA 240 |
|---|---|---|
| SPD Features: | | |
| SPD according to EN 61643-11 | Type 2 | Type 2 |
| SPD according to IEC 61643-1 | Class II | Class II |
| Nominal a.c. voltage U_N | 240 V | 240 V |
| Power supply system | TN system | TN system |
| Max. continuous operating a.c. voltage U_c | 275 V | 275 V |
| Nominal discharge current (8/20 μ s) I_n | 20 kA | 20 kA |
| Max. discharge current (8/20 μ s) I_{max} | 40 kA | 40 kA |
| Voltage protection level U_p | ≤ 1.25 kV | ≤ 1.25 kV |
| Voltage protection level for 5 kA U_p | ≤ 1 kV | ≤ 1 kV |
| Response time t_A | ≤ 25 ns | ≤ 25 ns |
| Max. mains-side overcurrent protection | 125 A gL/gG | 125 A gL/gG |
| Short circuit withstand capability for max. mains-side overcurrent protection | 50 kA _{rms} | 50 kA _{rms} |
| Temporary overvoltage (TOV) U_{TOV} | 335 V / 5 sec. | 335 V / 5 sec. |
| TOV characteristics | withstand | withstand |
| Operating state/Fault indication | green / red | green / red |
| Cross-sectional area (min.) | 1.5 mm ² solid/flexible | 1.5 mm ² solid/flexible |
| Cross-sectional area (max.) | 35 mm ² stranded/25 mm ² flexible | 35 mm ² stranded/25 mm ² flexible |
| SPD material | red thermoplastic, UL 94 V-0 | red thermoplastic, UL 94 V-0 |
| Type of remote signalling contact | — | changeover contact |
| Switching capacity a.c. | — | 250 V/0.5 A |
| Switching capacity d.c. | — | 250 V/0.1 A; 125 V/0.2 A; 75 V/0.5 A |
| Cross-sectional area for remote signalling terminals | — | max. 1.5 mm ² solid/flexible |
| MAINS CONNECTION BOX Features: | | |
| Ambient temperature range T_U | -25°C...+40°C | -25°C...+40°C |
| Enclosure material | polystyrene | polystyrene |
| Impact strength according to DIN EN 50102 | IK 07 (2 Joule loads) | IK 07 (2 Joule loads) |
| Degree of protection according to EN 60529 | IP 65 | IP 65 |
| Cover type | transparent cover | transparent cover |
| Colour of enclosure | grey | grey |
| Number of cable entries | 3 elastic cable entry | 3 elastic cable entry |
| Dimension (W x H x D) | 100 x 150 x 96 mm | 100 x 150 x 96 mm |
| Ordering information | | |
| Type | DSP 2 P 240 | DSP 2 PA 240 |
| Part No. | 902 650 | 902 651 |
| Packing unit | 1 pc(s). | 1 pc(s). |

- Ready-to-install equipment for use according to the lightning protection zones concept as required in BSEN 62305-4
- Premounted with DEHNguard M ... surge arrester
- Quick and easy installation as premounted with SPD arrangements
- High reliability due to "Thermo Dynamic Control" monitoring device
- Allows for easy replacing of protection modules due to module releasing button
- Single-pole automatic circuit breaker type C63 A
- Enclosure with transparent cover, degree of protection: IP 65



Dimension drawing DSP 2 PF 240 in mm

DSP 2 PF 240 (Part No. 902 652): Mains connection box set for single-phase 240 V TN systems, with IP 65 enclosure premounted with DEHNguard modular surge arresters (Part No. 952 200) and single-pole automatic circuit breaker type C63 A

DSP 2 PF 240

SPD Features:

| | |
|---|---|
| SPD according to EN 61643-11 | Type 2 |
| SPD according to IEC 61643-1 | Class II |
| Nominal a.c. voltage U_N | 240 V |
| Power supply system | TN system |
| Max. continuous operating a.c. voltage U_c | 275 V |
| Nominal discharge current (8/20 μ s) I_n | 20 kA |
| Max. discharge current (8/20 μ s) I_{max} | 40 kA |
| Voltage protection level U_p | ≤ 1.25 kV |
| Voltage protection level for 5 kA U_p | ≤ 1 kV |
| Response time t_A | ≤ 25 ns |
| Max. mains-side overcurrent protection | 125 A gL/gG |
| Short circuit withstand capability for max. mains-side overcurrent protection | 50 kA _{rms} |
| Temporary overvoltage (TOV) U_{TOV} | 335 V / 5 sec. |
| TOV characteristics | withstand |
| Operating state/Fault indication | green / red |
| Cross-sectional area (min.) | 1.5 mm ² solid/flexible |
| Cross-sectional area (max.) | 35 mm ² stranded/25 mm ² flexible |
| SPD material | red thermoplastic, UL 94 V-0 |

MAINS CONNECTION BOX Features:

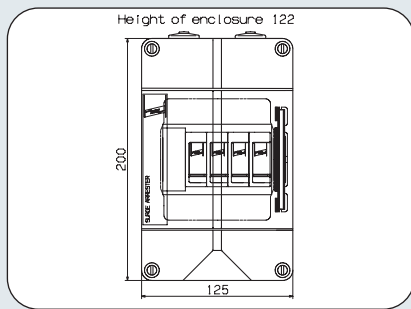
| | |
|--|-----------------------|
| Ambient temperature range T_U | -25°C...+40°C |
| Enclosure material | polystyrene |
| Impact strength according to DIN EN 50102 | IK 07 (2 Joule loads) |
| Degree of protection according to EN 60529 | IP 65 |
| Cover type | transparent cover |
| Colour of enclosure | grey |
| Number of cable entries | 3 elastic cable entry |
| Dimension (W x H x D) | 100 x 150 x 96 mm |

FUSE Features:

| | |
|---------------------------------|------------------------|
| Rated current / Characteristics | circuit breaker C 63 A |
| Number of poles | single-pole |

Ordering information

| | |
|--------------|--------------|
| Type | DSP 2 PF 240 |
| Part No. | 902 652 |
| Packing unit | 1 pc(s). |



Dimension drawing
DSP 2 P 415/ DSP 2 PA 415 in mm

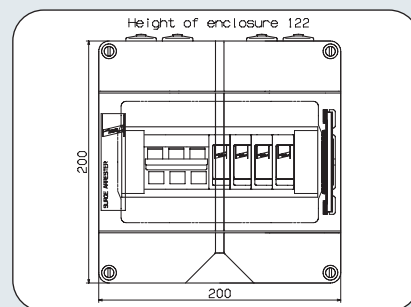


- Ready-to-install equipment for use according to the lightning protection zones concept as required in BSEN 62305-4
- Premounted with DEHNguard M ... surge arrester
- Quick and easy installation as premounted with SPD arrangements
- High reliability due to "Thermo Dynamic Control" monitoring device
- Allows for easy replacing of protection modules due to module releasing button
- Enclosure with transparent cover, degree of protection: IP 65

DSP 2 P 415 (Part No. 902 660) and DSP 2 PA 415 (Part No. 902 661): Mains connection box set for 3-phase 240/415 V TN-(C-)S systems, with IP 65 enclosure premounted with DEHNguard modular surge arrester (Part No. 952 400);
Type DSP 2 PA 415 (Part No. 902 661) premounted with surge arresters (Part No. 952 405) with integrated remote signalling contact for monitoring system

| | DSP 2 P 415 | DSP 2 PA 415 |
|---|---|---|
| SPD Features: | | |
| SPD according to EN 61643-11 | Type 2 | Type 2 |
| SPD according to IEC 61643-1 | Class II | Class II |
| Nominal a.c. voltage U_N | 240 / 415 V | 240 / 415 V |
| Power supply system | TN-(C-)S system | TN-(C-)S system |
| Max. continuous operating a.c. voltage U_c | 275 V | 275 V |
| Nominal discharge current (8/20 μ s) I_n | 20 kA | 20 kA |
| Max. discharge current (8/20 μ s) I_{max} | 40 kA | 40 kA |
| Voltage protection level U_p | ≤ 1.25 kV | ≤ 1.25 kV |
| Voltage protection level for 5 kA U_p | ≤ 1 kV | ≤ 1 kV |
| Response time t_A | ≤ 25 ns | ≤ 25 ns |
| Max. mains-side overcurrent protection | 125 A gL/gG | 125 A gL/gG |
| Short circuit withstand capability for max. mains-side overcurrent protection | 50 kA _{rms} | 50 kA _{rms} |
| Temporary overvoltage (TOV) U_{TOV} | 335 V / 5 sec. | 335 V / 5 sec. |
| TOV characteristics | withstand | withstand |
| Operating state/Fault indication | green / red | green / red |
| Cross-sectional area (min.) | 1.5 mm ² solid/flexible | 1.5 mm ² solid/flexible |
| Cross-sectional area (max.) | 35 mm ² stranded/25 mm ² flexible | 35 mm ² stranded/25 mm ² flexible |
| SPD material | red thermoplastic, UL 94 V-0 | red thermoplastic, UL 94 V-0 |
| Type of remote signalling contact | — | changeover contact |
| Switching capacity a.c. | — | 250 V/0.5 A |
| Switching capacity d.c. | — | 250 V/0.1 A; 125 V/0.2 A; 75 V/0.5 A |
| Cross-sectional area for remote signalling terminals | — | max. 1.5 mm ² solid/flexible |
| MAINS CONNECTION BOX Features: | | |
| Ambient temperature range T_U | -25°C...+40°C | -25°C...+40°C |
| Enclosure material | polystyrene | polystyrene |
| Impact strength according to DIN EN 50102 | IK 07 (2 Joule loads) | IK 07 (2 Joule loads) |
| Degree of protection according to EN 60529 | IP 65 | IP 65 |
| Cover type | transparent cover | transparent cover |
| Colour of enclosure | grey | grey |
| Number of cable entries | 4 elastic cable entry | 4 elastic cable entry |
| Dimension (W x H x D) | 125 x 200 x 122 mm | 125 x 200 x 122 mm |
| Ordering information | | |
| Type | DSP 2 P 415 | DSP 2 PA 415 |
| Part No. | 902 660 | 902 661 |
| Packing unit | 1 pc(s). | 1 pc(s). |

- Ready-to-install equipment for use according to the lightning protection zones concept as required in BSEN 62305-4
- Premounted with DEHNguard M ... surge arrester
- Quick and easy installation as premounted with SPD arrangements
- High reliability due to "Thermo Dynamic Control" monitoring device
- Allows for easy replacing of protection modules due to module releasing button
- 3-pole automatic circuit breaker type C63 A
- Enclosure with transparent cover, degree of protection: IP 65



Dimension drawing DSP 2 PF 415 in mm

DSP 2 PF 415 (Part No. 902 662): Mains connection box set for 3-phase 240/415 V TN-(C-)S systems, with IP 65 enclosure premounted with DEHNguard modular surge arresters (Part No. 952 400) and 3-pole automatic circuit breaker type C63 A

DSP 2 PF 415

SPD Features:

| | |
|---|---|
| SPD according to EN 61643-11 | Type 2 |
| SPD according to IEC 61643-1 | Class II |
| Nominal a.c. voltage U_N | 240 / 415 V |
| Power supply system | TN-(C-)S system |
| Max. continuous operating a.c. voltage U_c | 275 V |
| Nominal discharge current (8/20 μ s) I_n | 20 kA |
| Max. discharge current (8/20 μ s) I_{max} | 40 kA |
| Voltage protection level U_p | ≤ 1.25 kV |
| Voltage protection level for 5 kA U_p | ≤ 1 kV |
| Response time t_A | ≤ 25 ns |
| Max. mains-side overcurrent protection | 125 A gL/gG |
| Short circuit withstand capability for max. mains-side overcurrent protection | 50 kA _{rms} |
| Temporary overvoltage (TOV) U_{TOV} | 335 V / 5 sec. |
| TOV characteristics | resistance |
| Operating state/Fault indication | green / red |
| Cross-sectional area (min.) | 1.5 mm ² solid/flexible |
| Cross-sectional area (max.) | 35 mm ² stranded/25 mm ² flexible |
| SPD material | red thermoplastic, UL 94 V-0 |

MAINS CONNECTION BOX Features:

| | |
|--|-----------------------|
| Ambient temperature range T_U | -25°C...+40°C |
| Enclosure material | polystyrene |
| Impact strength according to DIN EN 50102 | IK 07 (2 Joule loads) |
| Degree of protection according to EN 60529 | IP 65 |
| Cover type | transparent cover |
| Colour of enclosure | grey |
| Number of cable entries | 6 elastic cable entry |
| Dimension (W x H x D) | 200 x 200 x 122 mm |

FUSE Features:

| | |
|---------------------------------|------------------------|
| Rated current / Characteristics | circuit breaker C 63 A |
| Number of poles | 3-pole |

Ordering information

| | |
|--------------|--------------|
| Type | DSP 2 PF 415 |
| Part No. | 902 662 |
| Packing unit | 1 pc(s). |

All devices subject to modifications without prior notice